

TECHNICAL SPECIFICATION

Rotary switches LW26-N series



Description:

The rotary switches LW26 series are produced for switching on/off electrical circuits with commutated current from 20 to 160A. They are designed on the bases of the rotor-eccentric switching on which is realized through turning of the handle to 60 or 90 degrees. The normal operation is used for commutation of two, three or four conductor systems. There are special rotary switches that switch on under given connection schemes and are used to control motors, electric welding machines and other consumers.

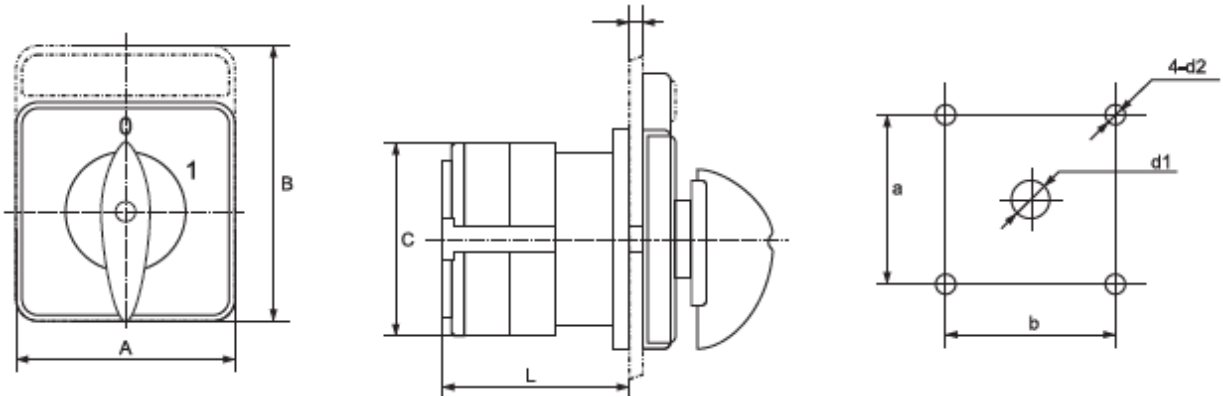
Technical data:

- Power supply voltage: 230/400V, 50Hz
- Number of levels: 3
- Number of positions: 3
- Insulation voltage: 690V
- Impulse voltage withstand: 6000V
- Mechanical wear resistance: 3×10^5 commutation cycles
- Operating temperature: -10°C - +50°C
- Humidity: 35 - 85%RH
- Commutation capacity: 20-160A
- Resistant to UV rays plastic
- Cable connection: screw joining
- Maximum section of the power supply conductors: 50.0mm²

Mounting:

- directly to the control panel
- thickness of the surface to which it is mounted: max 5mm

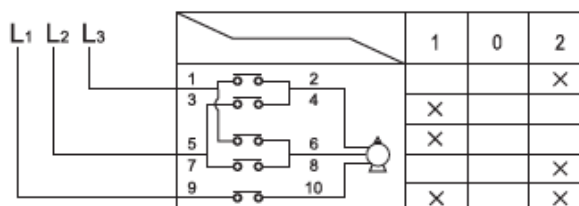
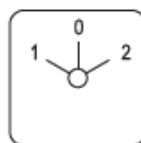
Dimensions:



Type	Front panel	Joining conductor (mm ²)	Overall dimensions (mm)				Mounting dimensions (mm)			
			A	B	C	L	a	b	d1	d2
LW26-20	M1 panel	1x2.5	48	46	43	22+9.6n	36	36	Ø8.5	Ø4.5
	M1 panel with inscription field		48	60	43	22+9.6n	36	36	Ø8.5	Ø4.5
LW26-25	M1 panel	1x4.0	48	48	45.2	23+12.8n	36	36	Ø8.5	Ø4.5
LW26-32	M2 panel	1x6.0	64	64	58	29.2+12.8n	48	48	Ø10	Ø4.5
LW26-63	M2 panel	1x16	64	64	66	29.2+21.5n	48	48	Ø10	Ø4.5
LW26-125	M3 panel	1x35	88	88	84	35+26.5n	68	68	Ø13	Ø6
LW26-160	M3 panel	1x50	88	88	88	35+32.5n	68	68	Ø13	Ø6

*n – number of modules

Variants:



Type	Scheme	In (A)	Levels	Packing / Box (pcs)	Catalogue number
LW26-20N	N11 3-position – 2 start position and 1 stop; For motor reversing	20	3	1 / 100	492202
LW26-25N		25	3	1 / 100	492252
LW26-32N		32	3	1 / 64	492322
LW26-63N		63	3	1 / 48	492632
LW26-125N		125	3	1 / 24	492952
LW26-160N		160	3	1 / 18	492962

Standards:

EN 60947-1

EN 60947-3-1

